

CP-A- Series Gas Station Luminaire



MODEL No. CP-A100



“Let us help light your way!”

Product Specifications

Series CP-A100 **LED Gas Station Luminaire's**



Overview

New, built-in driver design. Clean and simple in appearance.
Calima's A Series LED gas station luminaire uses high efficient LUMILEDS® Luxeon TX luminous source and highly reliable HLG Series Mean Well® driver.

Colour Options

Silver / Gray

LED LUMINOUS SOURCE



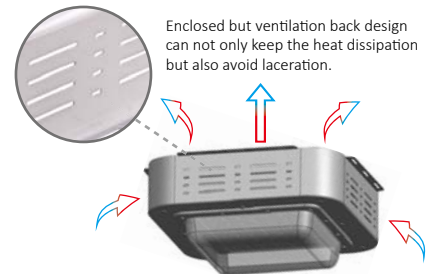
LED DRIVER



High-end Mean Well HLG Series LED driver, optimal stability, performance and lifespan.



XTREME LUMINAIRE DESIGN



Professional lens design



M16 water proof connector



Silastic® silicone sealed cover. Dust proof and water proof.



Corrugated Heat-sink design, improves thermal performance.



Heat sink, with attached water-proof respirator



Full aluminum outer Housing



The luminaire makes use of full aluminum construction.

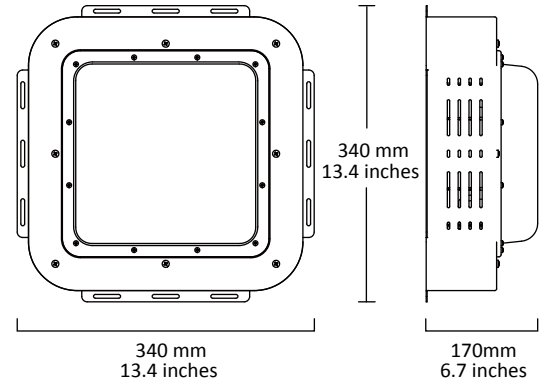


Unibody style construction make this unit easy to install, maintain and wire.





Dimming function are supported by optional
 † 0-5V, 0-10V, PWM



Specifications:

Model: CP-A100

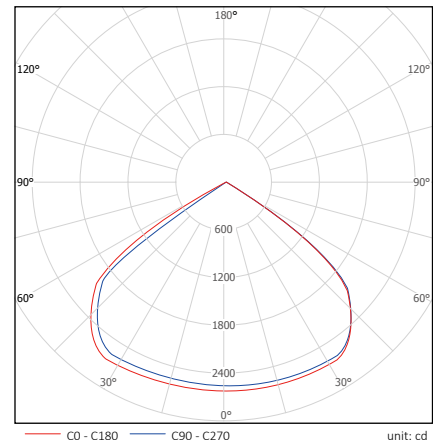
Nominal wattage	100W
Nominal Voltage	AC 100-240V /277V, 50/60Hz
Maximum Current	AC 1.03A -120V, 0.51A -240V, 0.45A -277V
Optimal Operating Temperature	-40 °C to +50 °C
Power Factor (PF)	> 0.9
Driver Efficiency	> 90%

Photometric Specifications:

Lumen Output	10500 lm (+Lumen tolerance+/- 5%)
Photometric Type	110°
CRI	Minimum 70 CRI
CCT	<div style="display: flex; gap: 10px;"> <div style="border: 1px solid black; border-radius: 50%; padding: 2px 5px;">4000K</div> <div style="border: 1px solid black; border-radius: 50%; padding: 2px 5px;">5000K</div> <div style="border: 1px solid black; border-radius: 50%; padding: 2px 5px;">5700K</div> </div>

Mechanical Specifications:

Rating	IP65, IK08
Lumen Maintenance	> 100,000 hours -L ₇₀ , @25 °C (77 °F)
Heat Radiator	Anodized Aluminum
Lens	PC
Fixture Dimension	340 x340 x170 mm 13.4 x13.4 x6.7 inches
Fixture Weight	3.9 kg /8.6 lbs



Packing Type

1unit(s)/ctn

Packing Dimension

375x375 x220 mm
 14.8 x14.8 x8.7 inches

Packing Weight

5.5 kg /12.1 lbs